



FONTO 9301

Floor socket outlet with removable cover and cable outlet
(Levelling support available optionally)

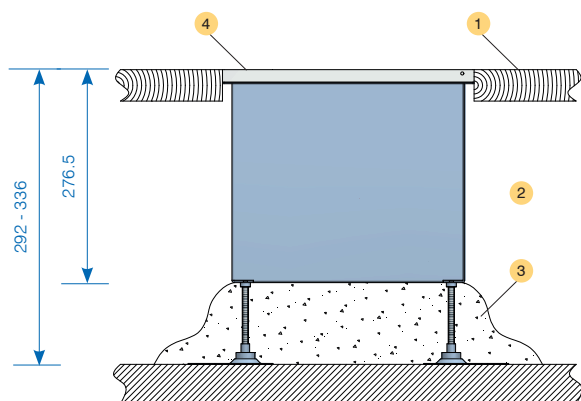


Technical data

Dimensions (l×w×h):	320×240×276.5 mm
Mounting depth:	276.5 mm (standard version)
– with levelling support:	292 - 336 mm
Material:	
– lid/frame:	anodised aluminium (salt- and seawater-resistant)
– Case:	V2A (1.4301)
Protection category:	IP54 - IP67
– drainage should be provided by the customer	
Cover:	cover removable
Cover closure type:	snap lock
Cable outlet:	yes
Load capacity:	
– in closed mode:	5 t (50 kN)
Feed-in cable:	2×M20 2×M25
Levelling support:	yes (optionally)

Remarks/Features

- for use in indoor and outdoor areas
- suitable for drive-over when closed
- connection box can be filled up with bluegel



Assortment

Floor socket outlet with cover and cable outlet,
320×240×276.5 mm, **anodised aluminium**

Item no.	Description	Equipment
861018	FONTO 9301	3×T23 1×T25
860926	FONTO 9301	2×CEE 16/3
860856	FONTO 9301	2×CEE 16/5
861005	FONTO 9301	1×CEE 16/5 2×T25
860860	FONTO 9301	1×CEE 32/5
860862	FONTO 9301	1×CEE 16/5 2×Schuko
860864	FONTO 9301	1×CEE 16/5 1×British Standard (1×13A)
860866	FONTO 9301	2×British Standard (2×13A)

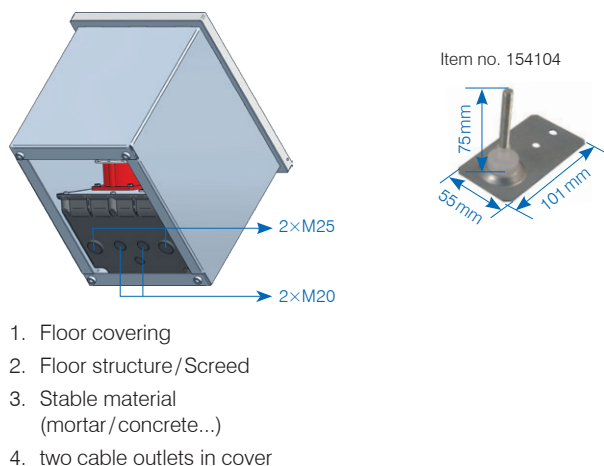
Other fitting options on request

On request, the FONTO 9301 can also be made of stainless steel.

Accessories / spare parts		
✓ 154104*	FONTO/MASSO Jackscrew levelling support:	1×baseplate and 1×threaded pin M8×60
✓ 840768*	FONTO/MASSO Threaded pin extension	M8×160 mm zinc-plated
✓ 211636	FONTO Cable outlet, insertion piece for cable outlet floor socket outlet, aluminium, colourless anodised	
✓ 220847	FONTO Polystyrene recess shutter block	
✓ 219243	FONTO lid for locking	
✓ 012009	Sash square lock, 8 mm	
✓ 011691	Square lock key 8 mm, black	

* 4 pieces are required per floor socket outlet

Shorten threaded pin as required



Levelling feet are only used for setting the floor socket outlet. load capacity / stability is only obtained by backfilling the floor socket outlet with stable material (mortar, concrete...). Drainage is necessary for an outdoor installation.

✓ from stock, offer subject to prior sale

FONTO 9308

Floor socket outlet with with removable cover, fillable cover and cable outlet

(Levelling support available optionally)

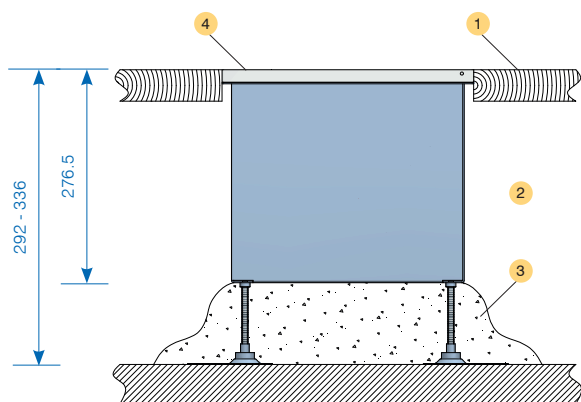


Technical data

Dimensions (l×w×h):	320×240×276.5 mm
Mounting depth:	276.5 mm (standard version) 292 - 336 mm
Material:	
– lid/frame:	anodised aluminium (salt- and seawater-resistant)
– Case:	V2A (1.4301)
Protection category:	IP54 - IP67
– drainage should be provided by the customer	
Cover:	cover removable
Cover closure type:	snap lock
Cable outlet:	yes
Load capacity:	
– in closed mode:	5t (50kN)
Feed-in cable:	2×M20 2×M25
Levelling support:	yes (optionally)

Remarks/Features

- for use in indoor and outdoor areas
- suitable for drive-over when closed
- lid with square lock available on request
- connection box can be filled up with bluegel



Assortment

Floor socket outlet with cover and cable outlet, 320×240×276.5 mm, anodised aluminium

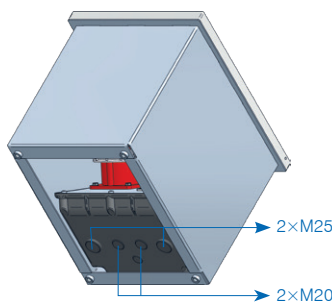
Item no.	Description	Equipment
✓ 860857	FONTO 9308	2×CEE 16/5
861006	FONTO 9308	1×CEE 16/5 2×T25
860861	FONTO 9308	1×CEE 32/5
860863	FONTO 9308	1×CEE 16/5 2×Schuko
860865	FONTO 9308	1×CEE 16/5 1×British Standard (1×13A)
860867	FONTO 9308	2×British Standard (2×13A)

Other fitting options on request

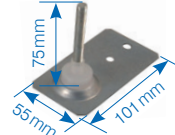
On request, the FONTO 9308 can also be made of stainless steel.

Accessories/spare parts

Item no.	Description
✓ 154104	FONTO/MASSO Jackscrew levelling support: 1×baseplate and 1×threaded pin M8×60
✓ 840768	FONTO / MASSO Threaded pin extension M8×160 mm, zinc-plated
✓ 211636	FONTO Cable outlet, insertion piece for cable outlet floor socket outlet, aluminium, colourless anodised
✓ 220847	FONTO Polystyrene recess shutter block



Item no. 154104



1. Floor covering
2. Floor structure/Screed
3. Stable material (mortar/concrete...)
4. two cable outlets in cover

Levelling feet are only used for setting the floor socket outlet. load capacity / stability is only obtained by backfilling the floor socket outlet with stable material (mortar, concrete...). Drainage is necessary for an outdoor installation.

✓ from stock, offer subject to prior sale

2/2